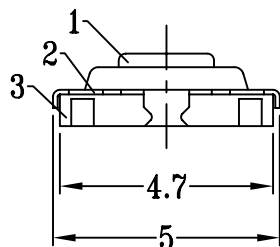
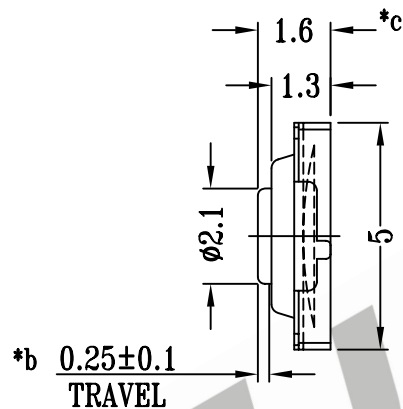
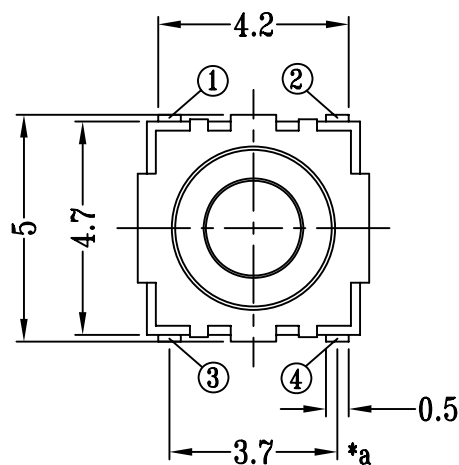
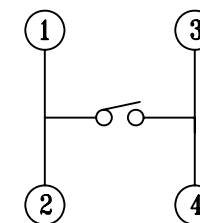


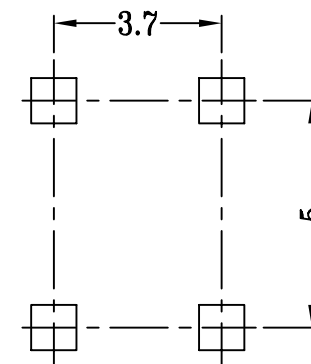
CAD FILE:



| OPERATING FORCE | CODE |
|-----------------|------|
| 160±50gf | X |
| 250±100gf | Z |



CIRCUIT DIAGRAM



P.C.B LAYOUT

注:带*表示关键尺寸(3个)

| NO. | PARTS | MATERIALS | Q'TY | FINISH | TOLERANCE UNLESS SPECIFIED | SHENZHEN XIEJIA ELECTRONICS CO.,LTD. | | | | | |
|-----|------------|----------------------------|------|--------------------------------|---------------------------------------------------------------------------------|--------------------------------------|--------------|---------------------------|-----------|-----------|--|
| 8 | | | | | WITHIN: 1.5±0.1mm OVER: 1.5±0.2mm | ISSUE | DATE | DESCRIPTIONS OF REVISION | | APPD. | |
| 7 | | | | | | | | | | | |
| 6 | | | | | | | | | | | |
| 5 | SEAL PLATE | PET | 1 | YELLOW | TITLE: TACT SWITCH MODEL: TD-23XU ALL MATERIALS MUST BE COMPLIANT TO ROHS | UNIT : mm | SCALE: 6 : 1 | DRWG NO.: XJ-DR-TD23XU-00 | | | |
| 4 | CONTACT | 0.06mm SUS | 1 | Ag CLAD | | | | DWN. | ZHOUYU | 2004-7-12 | |
| 3 | CASE | NYLON+F.G+94V0/BRASS STRIP | 1 | BLACK/Ag PLATED OVER Ni PLATED | | | | CHK'D | FANGYING | 2004-7-12 | |
| 2 | COVER | 0.1mm SUS | 1 | NATURAL | | | | APPD. | KANGXINAN | 2004-7-12 | |
| 1 | KNOB | NYLON | 1 | WHITE | | | | | | | |